

# Cellular Remote I/O

## UC3x Series

Easy to Operate,  
Monitor and Control Your System

### Industrial Cellular Smart I/O



### ► Features

- Quick configuration by USB and Ursalink Cloud
- Reporting updated status to Cloud if any inputs are detected
- Hundred of combinations of trigger conditions and actions
- Built-in with opto isolated digital inputs and relay outputs
- Abundant data transmission interfaces, support AI and serial ports
- Global GSM/WCDMA/4G LTE network
- Embed timer and hardware watchdog
- Rugged metal enclosure, optimized for shelf mounting

### ► Application Example



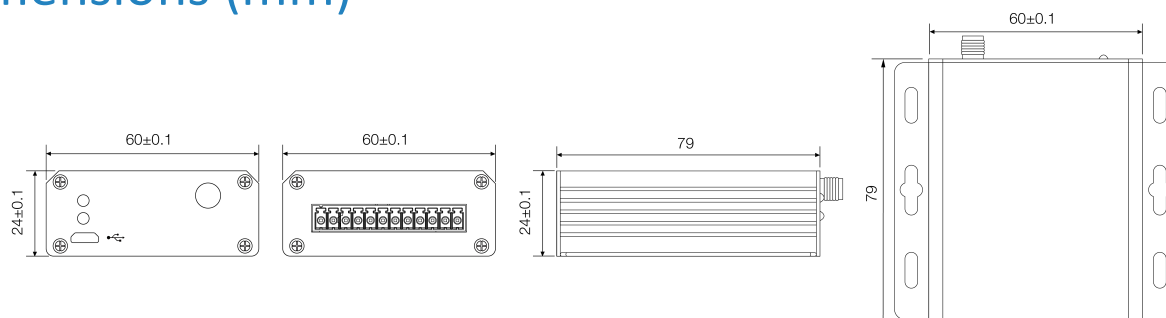
## Models

Model	Interface
UC3x14	2 × DI, 2 × Relay Output
UC3x22	2 × AI, 1 × DI, 1 × Relay Output
UC3x52	1 × RS232, 1 × RS485, 1 × DI, 1 × Relay Output

## Specifications

Cellular Interface	
Connector	1 × 50 Ω SMA (Center PIN: SMA Female)
SIM	Micro SIM (Inside the device)
Configuration Interface	
Port	1 × Micro USB
Baud Rate	115200bps
IO	
Connector	Terminal block
Digital Inputs	Opto-isolated Digital Inputs, 3-24VDC Volage
Digital Outputs	SPDT Relay Contact Rating: 3 amp DC (Max: 30 V) or 3 amp AC (Max: 250 V)
Aanlog Input	
Connector	Terminal block
Input	Standard 4-20mA
Serial Interface	
Ports	RS232&RS485
Connector	Terminal block
Baud Rate	9600bps to 115200bps
Power Supply	
Connector	Terminal block
Input Voltage	5-24 VDC (Standard adapter: DC 12 V/0.5 A)
Physical Characteristics	
Ingress Protection	IP30
Dimensions	79 × 60 × 24 mm (3.11 × 2.36 × 0.94 in)
Mounting	Desktop, Wall Mounting
Others	
LED Indicators	1 × System, 1 × ACT
Built-in	Watchdog, Timer
Operating Temperature	-40°C to +70°C (-40°F to +158°F) Reduced Cellular Performance Above 60°C
Relative Humidity	0% to 95% (non-condensing) at 25°C/77°F

## ► Dimensions (mm)



## ► Ordering Information

Network	UC3x14	UC3x22	UC3x52
GSM	UC3214	UC3222	UC3252
WCDMA	UC3314	UC3322	UC3352
LTE	UC3414	UC3422	UC3452



### Rémy GUÉDOT

Gsm: +33 (0) 662 80 65 57  
guedot@rg2i.fr

### Olivier BENAS

Gsm: +33 (0) 666 84 26 26  
olivier.benas@rg2i.fr

14 rue Edouard Petit - F42000 Saint Etienne  
Tél: +33 (0) 477 92 03 56 - Fax: +33 (0) 477 92 03 57

[www.rg2i.fr](http://www.rg2i.fr)